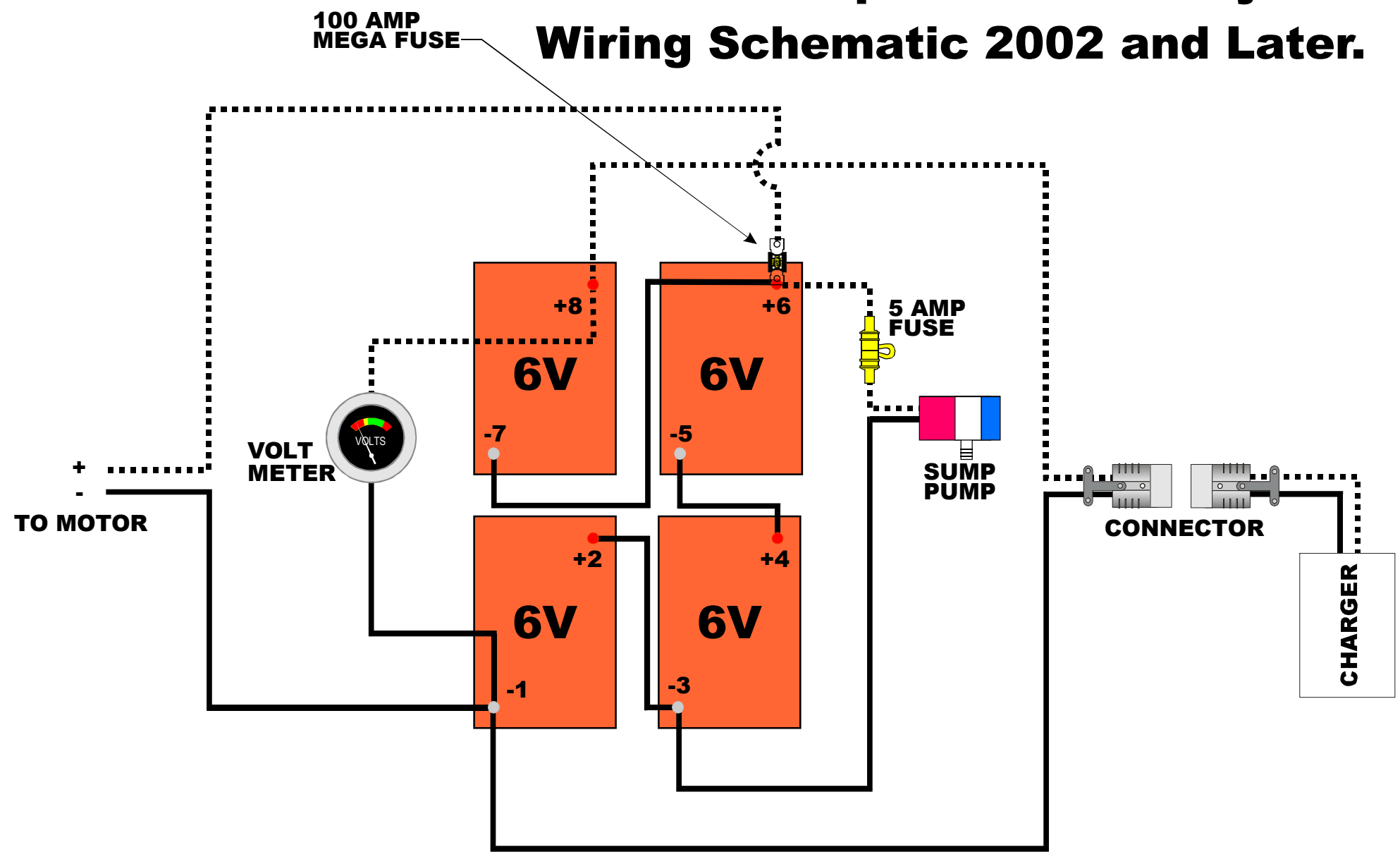


Electric Bumper Boat Battery Wiring Schematic 2002 and Later.



..... DOTTED REPRESENTS POSITIVE CONNECTION
————— SOLID REPRESENTS NEGATIVE CONNECTION