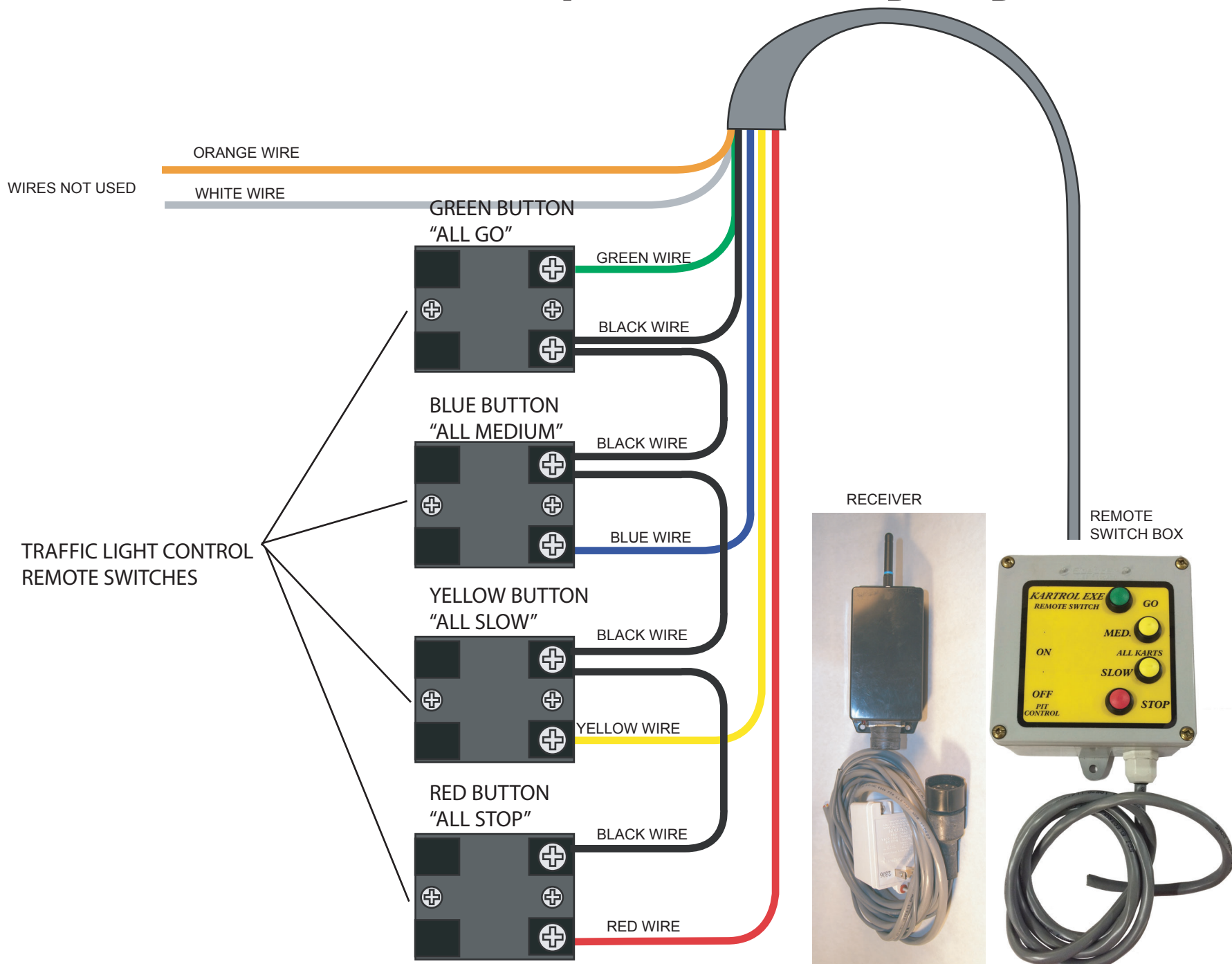


## Kartrol EXE - Remote switch-hip receiver wiring diagram



Questions about this procedure? Give us a call at (800)854-3140 or (503)304-8899.