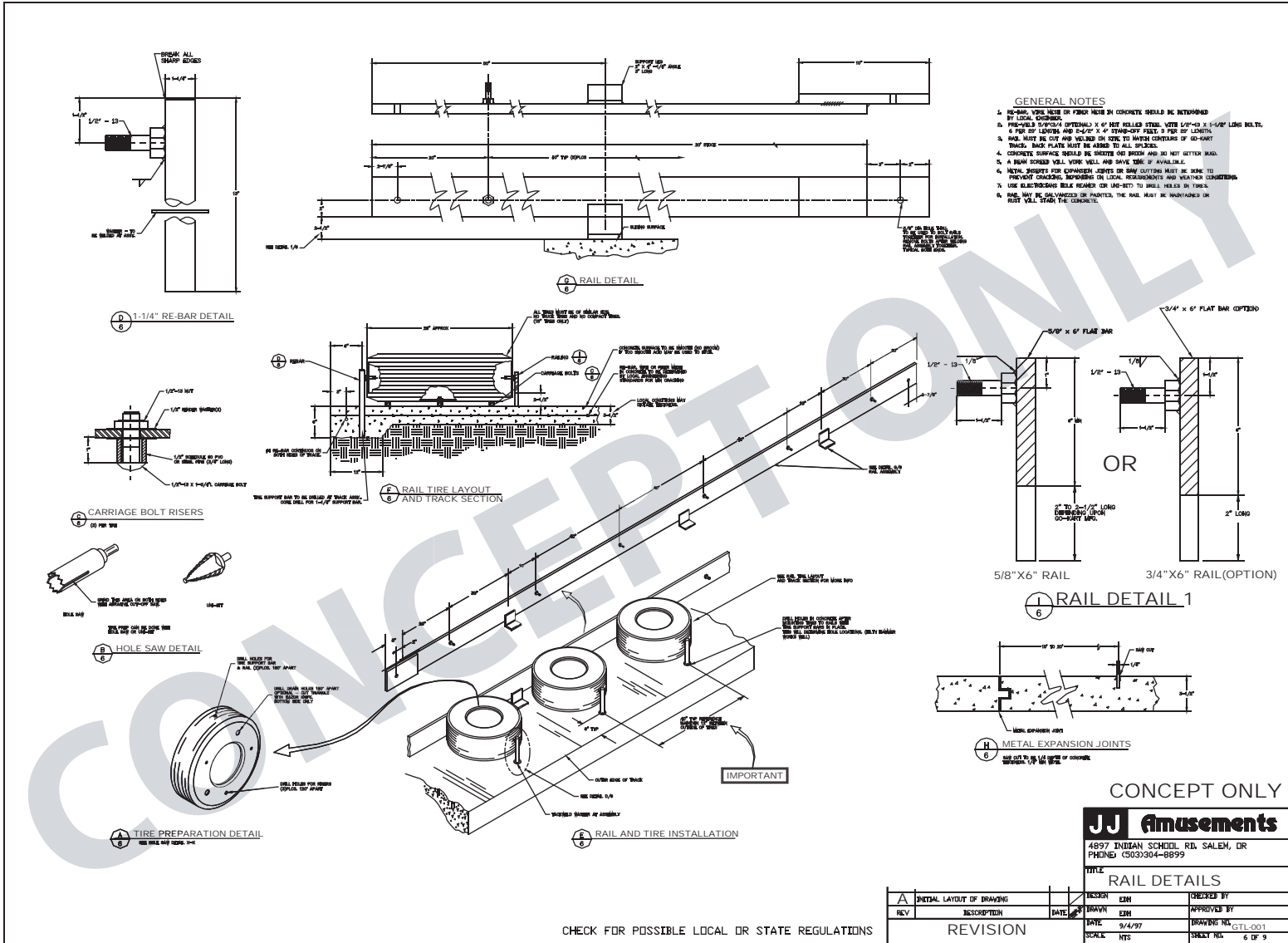


CONCEPT TRACK RAILING



CONCEPT ONLY

JJ Amusements

4897 INDIAN SCHOOL RD. SALEM, OR
PHONE: (503)304-8899

TITLE: RAIL DETAILS

REV	DESCRIPTION	DATE	DESIGN	EJM	CHECKED BY
A	INITIAL LAYOUT OF DRAWING				
1	REVISION				
			DATE	9/4/97	DESIGNED BY: GTL-001
			SCALE	NTS	SHEET NO. 6 OF 9

RAILING DETAILS



MANUFACTURING FUN