



WOLF'S HEAD

General Safety Instruction

Please read the safety instructions before using this product. The safety instructions explained here are to help you use this product safely and correctly, and also to prevent you from injuring yourself or others.

The safety instructions shown here are classified as follows.

WARNING: Indicates contents that may lead to death or serious injuries.

CAUTION: Indicates contents which may lead to serious injuries or damages to properties. After reading these instructions, store the manual where it is accessible to the user(s).

For Electricity Power Design

1. Always switch off the machine after use and before unplugging the product from the power socket. Pull out the plug when not in use. Always grasp the plug while unplugging and never unplug by pulling the cord. Failure to do so may lead to fire and/or accident.
2. Before connecting the appliance, check that the voltage indicated on the appliance corresponds to the local main voltage.
3. Do not cut, damage, or modify the cord. Do not pull, twist, or bend the cord with unnecessary force. Do not place heavy objects on the cord or allow the cord to get pinched in between objects. Do not wind the cord around the product. They may cause fire and/or electric shock. If the cord is damaged or gets heated up, discontinue use immediately.

For Air Power Design

1. For best service and proper safety, always incorporate a regulator and inline filter when using air compressor to operate the unit.
2. Check if the unit is in correct working pressure. If not, check for kinked or blocked air hose, poor quality restrictive couplings or fittings and air regulator.
3. For venturi designed tools, check blockage of the silencer periodically.

Repairing the Unit

1. Do not attempt to repair, disassemble, or modify the unit by yourself. You may injure yourself as a result of fire, or abnormal operation.
2. If the cord or plug of the unit is damaged, discontinue use immediately. Bring the damaged unit to the WOLF'S HEAD service center or qualified repair technician for repair or replacement. Repair done by unqualified personnel can lead to extreme hazards such as fire as a result of abnormal operation.

Warranty

This product is guaranteed to be free of material and workmanship defects under Lihyann Industrial Co Ltd.'s one year limited warranty and is subject to the following conditions :

1. Within the one year warranty period^o at the judgment of our technician's defects caused under normal use shall be repaired and replaced free of charge. All the replaced parts will become the property of Lihyann Industrial Co., Ltd.
2. This warranty shall be rendered null and void if:
 - (a) It has been damaged through misuse, negligence, accident or natural calamities, or
 - (b) It has been explicitly modified, tampered with, altered or repaired in any way by persons other than the technicians of Lihyann Industrial Co., Ltd., or
 - (c) It has been rendered non-functional as a result of abnormal voltage input.

LIHYANN INDUSTRIAL CO.,LTD

E-mail:world@lihyann.com.tw <http://www.lihyann.com.tw>

Safety Warnings and Precautions

WARNING: When using tool, basic safety precautions should always be followed to reduce the risk of personal injury and damage to equipment.

Read all instructions before using this tool!

1. **Caution.** Maintain a safe working environment. Keep the work area well lit. Make sure there is adequate surrounding workspace. Always keep the work area free of obstructions, grease, oil trash, and other debris. Do not use the unit in areas near flammable chemicals, dusts and vapors.
2. **Observe work area conditions.** Do not use this unit in damp or wet locations. Do not expose to rain. Keep work area well lit. Do not use electrically powered compressors in the presence of flammable gases or liquids.
3. **Keep children away.** Children must never be allowed in the work area. Do not let them handle air lines, machines, tools, or extension cords.
4. **Warning.** Avoid accidental fire and/or explosion. Always work in a well-ventilated area and do not smoke near engine fuel and battery components.
5. **Store idle equipment.** When not in use, tools must be stored in a dry location to inhibit rust. Always lock up tools and keep out of reach of children.

Tool Use and Care

1. **Use the right tool for the job.** Do not attempt to force a small tool or attachment to do the work of a larger industrial tool. There are certain applications for which this tool was designed. It will do the job better and more safely at the rate for which it was intended. Do not modify this tool and do not use this tool for a purpose for which it was not intended.
2. **Maintain tools with care.** Keep tools maintained and clean for better and safer performance. Follow instructions for cleaning and changing accessories. Inspect air pressure hoses and fittings periodically if any. And, if damaged, have them repaired by a qualified technician. The handle must be kept clean, dry, and free from oil and grease at all times.
3. **Check for damaged parts.** Before using any tool, any part that appears damaged should be carefully checked to determine that it will operate properly and perform its intended function. Check for alignment and binding of moving parts; any broken parts or mounting fixtures; and any other condition that may affect proper operation. Any part that is damaged should be properly repaired or replaced by a qualified technician. Do not use the tool if the trigger does not operate properly.
4. **Replacement parts and accessories.** When servicing, use only identical replacement parts. Use of any other parts will void the warranty. Only use accessories intended for use with this tool.
5. **Disconnect power.** Disconnect tool from air supply or power when not in use.
6. **Maintenance.** For your safety, service and maintenance should be performed regularly by a qualified technician.

Personal Safety

1. **Dress properly.** Protective, electrically non-conductive clothes and non-skid footwear are recommended when working. Wear restrictive hair covering to contain long hair. Wear heavy work gloves.
2. **Use personal safety equipment.** Always wear safety approved impact glasses and full face mask when using this tool. Wear a safety approved dust mask.
3. **Do not overreach.** Keep proper footing and balance at all times. Do not reach over or across running machines.
4. **Stay alert.** Watch what you are doing, use common sense. Do not operate any tool when you are tired.
5. **Do not operate tool if under the influence of alcohol or drugs.** Read warning labels on prescriptions to determine if your judgment or reflexes are impaired while taking drugs. If there is any doubt, do not operate the tool.

VACUUM OIL CHANGER

GP-2

OPERATING INSTRUCTIONS

Suction oil:

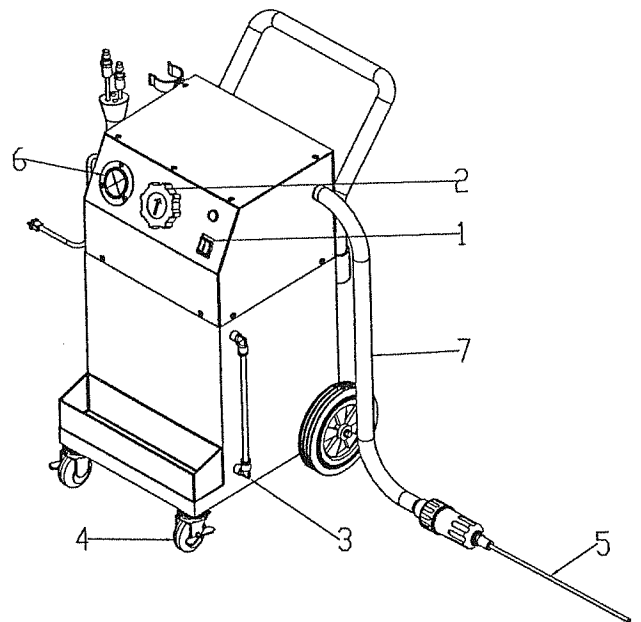
- A. Accord to each country's voltage level.
- B. Please turn on the switch on suction oil.
- C. Can be used on normal.
- D. Keep the temperature of wasted-oil above 60 C in order to promptly suck oil out.
- E. Please use large sucking-oil tube if viscosity is high.
- F. Please use on only of lubrication oil.
- G. Please do not operate empty.

Drain oil:

- A. If the container full,wasted-oil must be drained out.
- B. Turn on the switch on drain oil.and it begin to drain oil.

ITEM DESCRIPTION

- 1. Power Switch
- 2. Power light
- 3. Waster can sight tube
- 4. Front brake wheel
- 5. Suction-oil tube
- 6. Pressure gauge
- 7. Suction-oil handle



*Specifications are subject to change without notices