



GC-30 GAS CADDY

INSTRUCTIONS • PARTS DRAWING • PARTS LIST

ITEM # 12652

⚠ WARNING: READ INSTRUCTIONS BEFORE OPERATING



**DO NOT USE TO TRANSPORT FUEL
IN ANY VEHICLE OR TRAILER**

ASSEMBLY

1. Remove all packaging and check carefully for concealed shipping damage.
2. Pull handle out and turn around. Take the Socket Head Cap Screw and the Keys nut and install with the heads pointing to the outside.
3. Slide wheels onto axle and snap on the retaining rings.
4. Install pump and hose. Refer to parts illustration on back.
5. If desired, mount caddy identification label (Unleaded, Gasoline, Diesel, Kerosene or Mixed Fuel) on front or side of caddy.
6. Always have ground wire clamp attached to a known ground.

**Factory
Mutual
System
APPROVED**

OPERATION

1. This pump is furnished with a hose to transfer fuel.
2. Rotate pump handle briskly to obtain initial prime.
3. Rotate pump handle clockwise to draw from the caddy-counterclockwise rotation for suction.

NOTE: The arrow which is on base plate inside gauge, must point to opposite corner of gas caddy. This is necessary to prevent gauge float arm from binding against tank sides.

NOTE: Decals included to label contents of the caddy. Cut and apply.

HANDY LIMITED WARRANTY

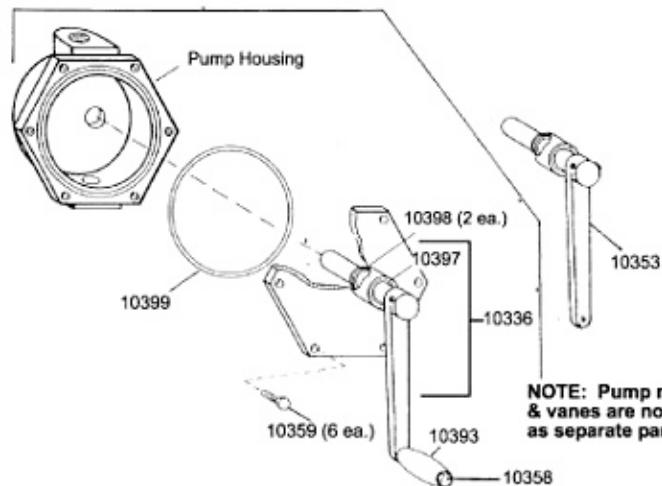
Handy Industries, L.L.C. warrants to the original purchaser of this product, all parts to be free from defects in material and workmanship under normal use for a period of 90 days from the date of delivery. Notice of any defective part must be received by Handy Industries, in writing, within 90 days of the date of delivery. All parts of the product returned to Handy Industries which prove to be defective in manufacture or workmanship will be repaired or replaced F.O.B. factory at no cost to the purchaser. This warranty does not apply to damage resulting from an accident or to any product which has been improperly installed, repaired or maintained. THE COST OF REPAIR OR REPLACEMENT OF THE PRODUCT SHALL BE THE EXCLUSIVE REMEDY FOR ANY BREACH OF WARRANTY AND IN NO EVENT SHALL HANDY INDUSTRIES BE LIABLE FOR INCIDENTAL OR CONSEQUENTIAL DAMAGES. HANDY INDUSTRIES MAKES NO OTHER WARRANTY, EXPRESS OR IMPLIED, INCLUDING AN IMPLIED WARRANTY OF MERCHANTABILITY, FITNESS FOR A PARTICULAR PURPOSE, OR PATENT INFRINGEMENT.

HANDY INDUSTRIES, L.L.C.

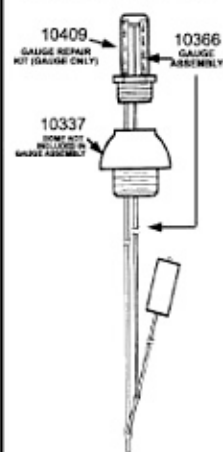
Hardy

GC-30 GAS CADDY

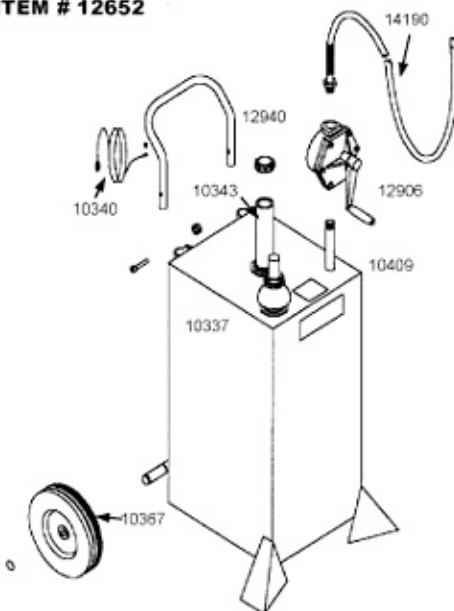
12906 - PUMP ASSEMBLY - COMPLETE



GAUGE ASSEMBLY & VENT DOME DETAIL



ITEM # 12652



ITEM#	DESCRIPTION
10336	Assy shaft & cover
10337	Vent Dome
10340	Ground Wire
10343	Assembly fill tube
14190	Hose 1/2" (8' 6")
10353	Assy handle & Shaft
10358	Hex Head Cap Screw
10359	Whizlock
10363	Roll Pin
10366	Gauge Assembly
10367	Wheel
10372	Retaining Ring
10380	Bung Gasket
10393	Pump Handle Knob
10397	Nylon Bushing
10398	Small O Ring
10399	Large O Ring
10408	Push Lock Barb
10409	Gauge Repair Kit
12906	Pump Assembly
12940	Cap (non-vented)